



## APPLICATION: Reverse Osmosis Drinking Water Filtration

The 3M™ Reverse Osmosis Drinking Water Filtration System helps provide cleaner, better tasting water through reverse osmosis filtration. 3MRO401 offers 4-stage filtration, incorporating separate sediment and chlorine taste & odor filters for excellent membrane module protection, a sanitary, encapsulated reverse osmosis membrane, and carbon block post-filter for superior flow from a dedicated faucet.

The system is powered by residential line pressure — no electricity required. The system helps conserve water, shutting down when the storage tank is full and turning back on to refill the tank. Replacement filters are easy to change – twist on, twist off, no mess.



**MODEL: 3MRO401**

### PRODUCT BENEFITS:

- Reduces Sediment, Chlorine Taste & Odor, Cysts, Arsenic, Barium, Cadmium, Chromium (Hex), Chromium (Tri), Copper, Fluoride, Lead, Radium, Selenium, Turbidity and Total Dissolved Solids (TDS).
- Installs under the sink for dedicated drinking and cooking water use.
- 5 micron sediment/carbon pre-filter for optimal sediment holding capacity.
- Granulated activated carbon pre-filter to help protect membrane.
- Reverse osmosis membrane module capable of producing more than the daily production rate of 8.28 gpd (31.3 lpd) clean, fresh water every 24 hours.
- 10 micron nominal carbon block post-filter to provide satisfying flow from faucet.
- Sanitary Quick Change (SQC) design, allows for fast and easy replacement filter change-outs without the need of a filter wrench.
- System designed for both chlorinated and non-chlorinated municipal or well systems.
- Helps conserve water, shutting down when storage tank is full. Automatically turns on to refill tank.
- 1/4 turn quick-change filter design.

### PRODUCT SPECIFICATIONS:

Model/Part Number	Reduction Claims	Dimensions (H x W x D)	Approx. Weight	Daily Production Rate	Temperature Range	Pressure Range	Replacement Filters
3MRO401	Sediment, Chlorine Taste & Odor, Cysts, Arsenic, Barium, Cadmium, Chromium (Hex), Chromium (Tri), Copper, Fluoride, Lead, Radium, Selenium, Turbidity and Total Dissolved Solids (TDS)*	16.06" x 13.94 x 4.38" (40.8 cm x 35.4 cm x 11.2 cm)	21.0 lbs. (9.5 kg)	8.28 gpd (31.3 lpd)	40 - 100°F (4.4 - 37.8°C)	40 - 100 psi (276- 689 kPa)	3MROP411 3MROP412 3MROM413 3MROP414

\* See Performance Data Sheet for additional details

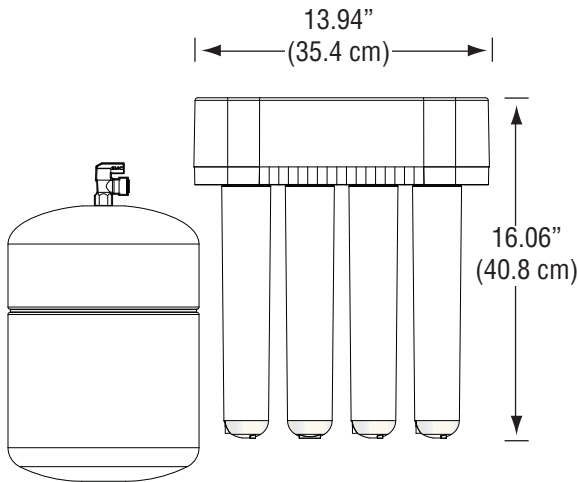
To obtain additional information please call our Customer Care team at 855-3M-WATER or visit our website at [www.3MWater.com](http://www.3MWater.com)

## INSTALLATION DIFFICULTY



Skills Needed: (Please refer to installation difficulty chart on website for additional information)

- Novice plumbing skills required if hole in sink is already present for dedicated faucet
- Professional installation recommended if no hole in sink is present for dedicated faucet



## SPECIFICATIONS

- System includes a tank, faucet, sediment filter, granulated carbon filter, membrane module and a carbon block post-filter.
- Replacement filters are o-ring seal type.
- System maximum operating pressure of 100 psi (689 kPa) and operating temperature of 100°F (37.8°C).
- Daily production rate is 8.28 gpd (31.3 lpd).
- System is NSF Standards 42 and 58 certified.
- Replacement filters are sanitary in design, requiring no contact with the filter media during filter change-out.

## IMPORTANT

**⚠ WARNING:** To reduce the risk associated with the ingestion of contaminants:

- Do not use with water that is microbiologically unsafe or of unknown quality without adequate disinfection before or after the system. Systems certified for cyst reduction may be used on disinfected water that may contain filterable cysts. EPA Establishment # 070595-CT-001

**CAUTION:** To reduce the risk associated with property damage due to water leakage:

- Read and follow Use Instructions before installation and use of this system.
- Installation and use **MUST** comply with all state and local plumbing codes.
- **Do not install** if water pressure exceeds 100 psi (690 kPa). If your water pressure exceeds 80 psi (552 kPa), you must install a pressure limiting valve. Contact a plumbing professional if you are uncertain how to check your water pressure.
- The disposable replacement filters **MUST** be replaced every 12 months, at the rated capacity or sooner if a noticeable reduction in flow rate occurs.
- The replacement module **MUST** be replaced every 36 months, at the rated capacity or sooner if a noticeable reduction in flow rate occurs.

3M Purification Inc. recommends regularly scheduled maintenance and replacement of the filters in order for the product to perform as advertised. 3M Purification Inc. shall not be liable for system failures due to improper maintenance.

## LIMITED WARRANTY

3M Purification Inc. warrants this Product will be free from defects in material and manufacture for the following periods from the date of purchase. Twelve (12) year for the Product, except for the replacement filter cartridge and membrane, which are warranted for one (1) year. This warranty does not cover failures resulting from abuse, misuse, alteration or damage not caused by 3M Purification Inc. or failure to follow installation and use instructions. No warranty is given as to the service life of any filter cartridge or membrane as it will vary with local water conditions and water consumption. **3M PURIFICATION INC. MAKES NO OTHER WARRANTIES OR CONDITIONS, EXPRESS OR IMPLIED, INCLUDING, BUT NOT LIMITED TO, ANY IMPLIED WARRANTY OR CONDITION OF MERCHANTABILITY OR FITNESS FOR A PARTICULAR PURPOSE OR ANY IMPLIED WARRANTY OR CONDITION ARISING OUT OF A COURSE OF DEALING, CUSTOMER OR USAGE OF TRADE.** If the Product fails to satisfy this Limited Warranty during the warranty period, 3M Purification Inc. will replace the Product or refund your Product purchase price. This warranty does not cover labor. **The remedy stated in this paragraph is Customer's sole remedy and 3M Purification Inc.'s exclusive obligation.** For additional information, see the entire Limited Warranty located in the product Installation and Operating Instruction Manual.

**Limitation of Liability.** 3M Purification Inc. will not be liable for any loss or damage arising from this 3M Purification Inc. product, whether direct, indirect, special, incidental, or consequential, regardless of the legal theory asserted, including warranty, contract, negligence or strict liability. Some states and countries do not allow the exclusion or limitation of incidental or consequential damages, so the above limitation or exclusion may not apply to you.

